

# 100 WATT HALOGEN FIBRE LIGHT SOURCE

FOR FIBRE LIGHT GUIDES IN PLASTIC, GLASS AND QUARTZ

## KLQ100.2



### Product and Performance Characteristics:

- Dimmer for continuous control 0 to 100% intensity
- Wide range input – supply voltage 85 – 264VAC
- Display shows intensity and temperature
- Heat protection filter for cool illumination
- Lamp quick-eject and soft start
- Full illumination on active diameter input light guides
- Built-in thermal shut down
- Quiet fan cooling, <20dB
- CE compliant to low voltage
- Remote control with DIN41424 or USB / RS232-Interface

**KLQ100.2 Light Source Models**

List No.	Light Source Models	Specifications, active light guide diameter
235596	KLQ100.2-06 EU	Ø06 mm / 0.24" inch Glasrod (Glasmischstab)
235621	KLQ100.2-08 EU	Ø08 mm / 0.31" inch Glasrod (Glasmischstab)
235622	KLQ100.2-10 EU	Ø10 mm / 0.39" inch Glasrod (Glasmischstab)
235623	KLQ100.2-12 EU	Ø12 mm / 0.47" inch Glasrod (Glasmischstab)
235378	KLQ100.2-14 EU	Ø14 mm / 0.55" inch Glasrod (Glasmischstab)
235624	KLQ100.2-22 EU	Ø22 mm / 0.87" inch

**Technical Data**

Halogen- ellipsoid- coldlight- reflectorlamp	
Lamp voltage rating	12V DC
Lamp power consumption	100 Watts
Input voltage, frequency	085-264VAC, 47...63Hz
Power consumption	138 Watts
Lamp normal mode at 10.8V	>6.000h LED green
Lamp overvoltage mode at 12.0V	>1.500h LED yellow
Light intensity control	Electrical
Colour temperature	5000°K
Heat protection filter	URO H9
Light emission	Quartz glass light mixing rod
Cooling fan	<20 dB (A)
Changeable	Lamp quick-eject
Interface Lamp remote control	5-Port DIN 41424
Interface device remote control	USB / RS232-Interface
Dimensions	B 147 x H 115 x T 191mm / W 5.79" x H 4.53" x D 7.52" inch
Weight	Approx 1.5 Kg
Design	Black powder- coated
Power Supplier	Desktop switching power supply unit
Protections against	Overvoltage, short circuit, overload, over temperature
Dimensions Power Supplier	B 72 x H 35 x T 175mm / W 2.83" x H 1.38" x D 6.89" inch

**KLQ100.2 Spare parts**

List No.	
221274	KLQ100.2 Halogenlamp, 12V/100W
222485	Heat- absorptions- filter, URO H9

**KLQ100.2 Power cords**

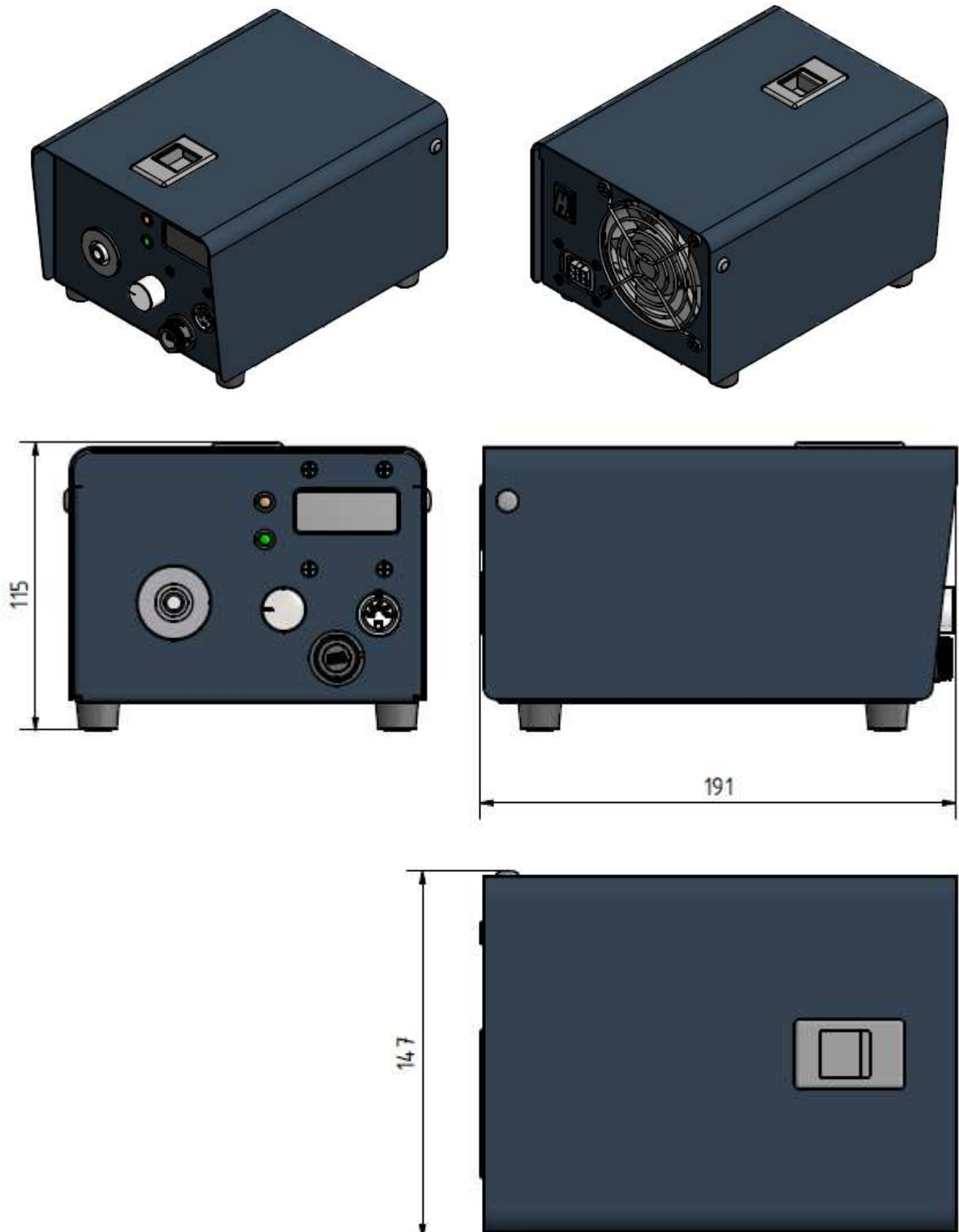
List No.	Power cords
102010	ICE cord with European plug, inclusive
205858	ICE cord with Swiss plug
205683	ICE cord with UK plug
208599	ICE cord with US plug

Note: country specific power cord must be ordered separately.

**3D-CAD, DXF-Drawings, PDF-Drawings - on request**

We reserve the right to modify technical data/specifications of the product described at any time without previous notification. During compilation the manual we worked with the greatest precision and care. Though there may arise deviations as a result of later product modifications. Please contact us, if you need more information or detailed specifications.

**KLQ100.2**



Manufacturer

**Faseroptik Henning GmbH**  
Neumarkter Straße 29  
Germany 90584 Allersberg

Fon 0049 (0)9176 58-0  
Fax 0049 (0)9176 58-70

[kontakt@faseroptik-henning.de](mailto:kontakt@faseroptik-henning.de)  
[www.faseroptik-henning.de](http://www.faseroptik-henning.de)