

150 WATT HALOGEN FIBRE LIGHT SOURCE

FOR FIBRE LIGHT GUIDES IN PLASTIC, GLASS AND QUARTZ

KLQ150.2



Product and Performance Characteristics:

- Dimmer for continuous control 0 to 100% intensity
- Wide range input – supply voltage 85 – 264VAC
- Display shows intensity and temperature
- Heat protection filter for cool illumination
- Lamp quick-eject and soft start
- Full illumination on active diameter input light guides
- Built-in thermal shut down
- Quiet fan cooling, <20dB
- CE compliant to low voltage
- Remote control with DIN41424 or USB / RS232-Interface

KLQ150.2 Light Source Models

List No.	Light Source Models	Specifications, active light guide diameter
235600	KLQ150.2-06 EU	Ø06 mm / 0.24" inch Glasrod (Glasmischstab)
235597	KLQ150.2-08 EU	Ø08 mm / 0.31" inch Glasrod (Glasmischstab)
235372	KLQ150.2-10 EU	Ø10 mm / 0.39" inch Glasrod (Glasmischstab)
235602	KLQ150.2-12 EU	Ø12 mm / 0.47" inch Glasrod (Glasmischstab)
235602	KLQ150.2-14 EU	Ø14 mm / 0.55" inch Glasrod (Glasmischstab)
235603	KLQ150.2-22 EU	Ø22 mm / 0.87" inch

Technical Data

Halogen- ellipsoid- coldlight- reflectorlamp	
Lamp voltage rating	15V DC
Lamp power consumption	150 Watts
Input voltage, frequency	085-264VAC, 47...63Hz
Power consumption	280 Watts
Lamp normal mode at 10.8V	>600h LED green
Lamp overvoltage mode at 14.0V	>120h LED yellow
Light intensity control	Electrical
Colour temperature	5000°K
Heat protection filter	URO H9
Light emission	Quartz glass light mixing rod
Cooling fan	<20 dB (A)
Changeable	Lamp quick-eject
Interface Lamp remote control	5-Port DIN 41424
Interface device remote control	USB / RS232-Interface
Dimensions	B 147 x H 115 x T 191mm / W 5.79" x H 4.53" x D 7.52" inch
Weight	Approx 1.5 Kg
Design	Black powder- coated
Power Supplier	Desktop switching power supply unit
Protections against	Overvoltage, short circuit, overload, over temperature
Dimensions Power Supplier	B 95 x H 46 x T 220 mm / W 3.74" x H 1.81" x D 8.66" inch

KLQ100.2 Spare parts

List No.	
219129	KLQ150.2 Halogenlamp, 15V/150W
222485	Heat- absorptions- filter, URO H9

KLQ150.2 Power cords

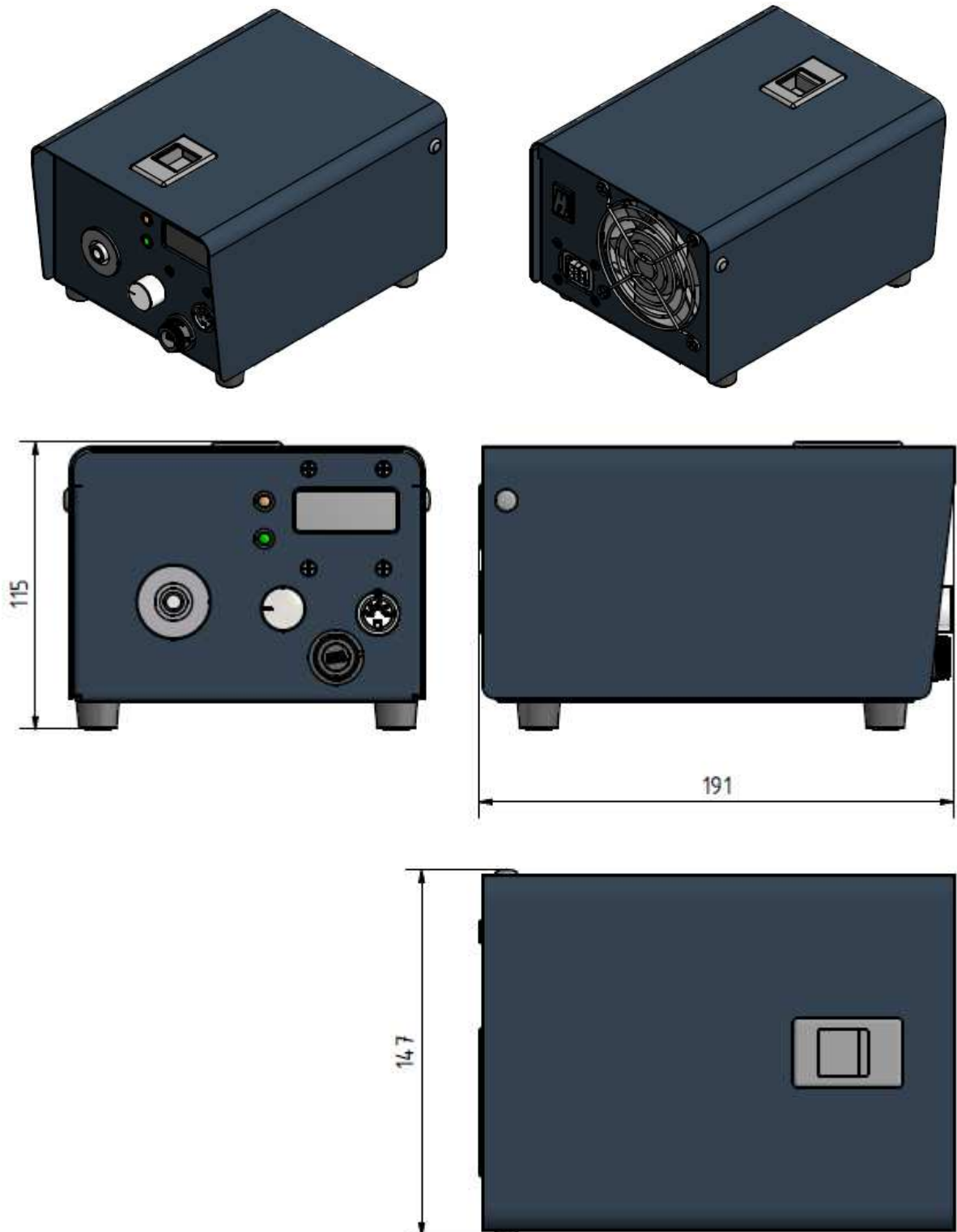
List No.	Power cords
102010	ICE cord with European plug, inclusive
205858	ICE cord with Swiss plug
205683	ICE cord with UK plug
208599	ICE cord with US plug

Note: country specific power cord must be ordered separately.

3D-CAD, DXF-Drawings, PDF-Drawings - on request

We reserve the right to modify technical data/specifications of the product described at any time without previous notification. During compilation the manual we worked with the greatest precision and care. Though there may arise deviations as a result of later product modifications. Please contact us, if you need more information or detailed specifications.

KLQ150.2



Manufacturer

Faseroptik Henning GmbH
Neumarkter Straße 29
Germany 90584 Allersberg

Fon 0049 (0)9176 58-0
Fax 0049 (0)9176 58-70

kontakt@faseroptik-henning.de
www.faseroptik-henning.de